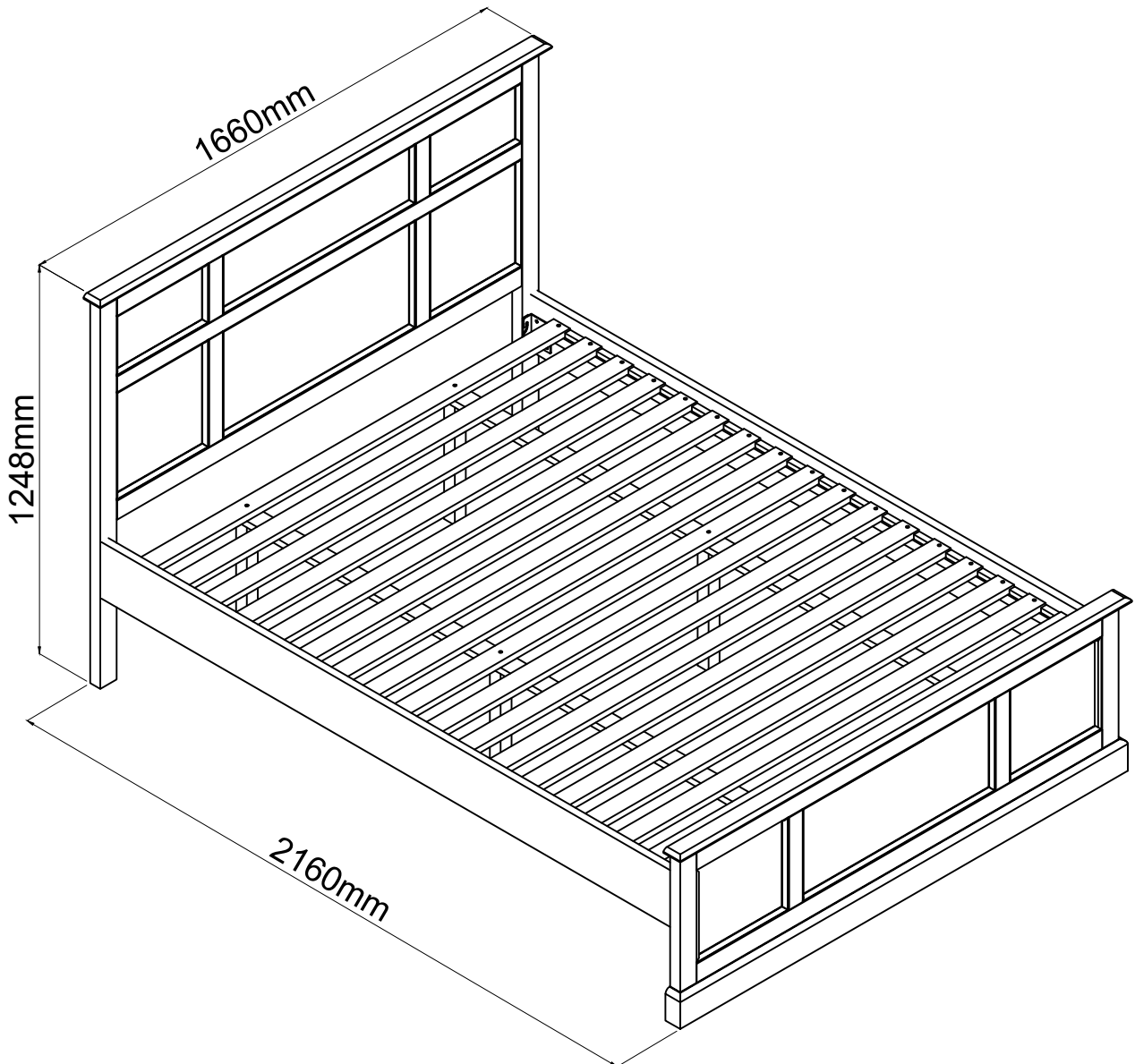




# ASSEMBLY INSTRUCTION CHRYSTELLE QUEEN BED ITEM CODE 59030,80351

Imported by Amart Furniture Pty Ltd, Qld, Brisbane Australia.  
For any assistance with assembly or for missing parts please phone  
Amart Furniture, Customer Service Free call 1800 351 084

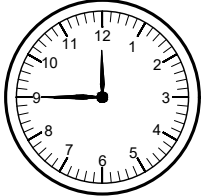




Imported by Amart Furniture Pty Ltd, Qld, Brisbane Australia.  
For any assistance with assembly or for missing parts please phone  
Amart Furniture, Customer Service Free call 1800 351 084

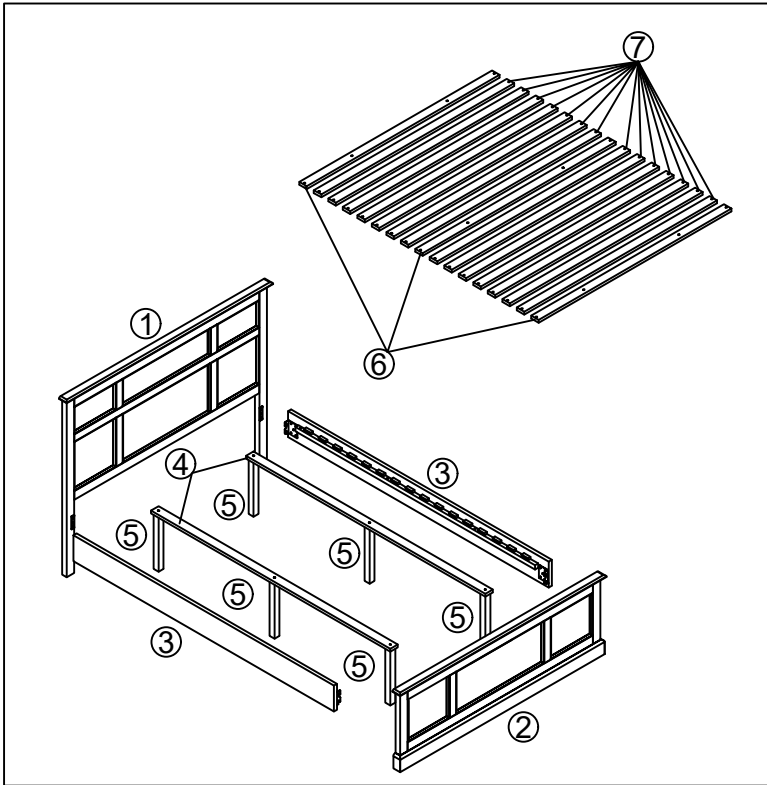
# PRE-ASSEMBLY PREPARATION

## Before you start:

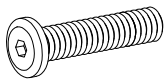
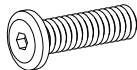
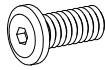

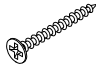

1. Choose a clean, level, spacious assembly area. Avoid hard surfaces that may damage the product
2. Take care when lifting. Product should be assembled as near as possible to the point of use
3. Ensure that you have all required contents for complete assembly
4. Always read the assembly instructions carefully before beginning assembly.
5. Keep all hardware parts and packaging out of reach of small children.
6. Do not over tighten the screws and bolts as this may damage the threads

	 <b>x2</b>
<b>ALLOW 45 MINUTES</b>	<b>2 PEOPLE REQUIRED</b>
	
<b>ADDITIONAL TOOL REQUIRED (not include)</b>	

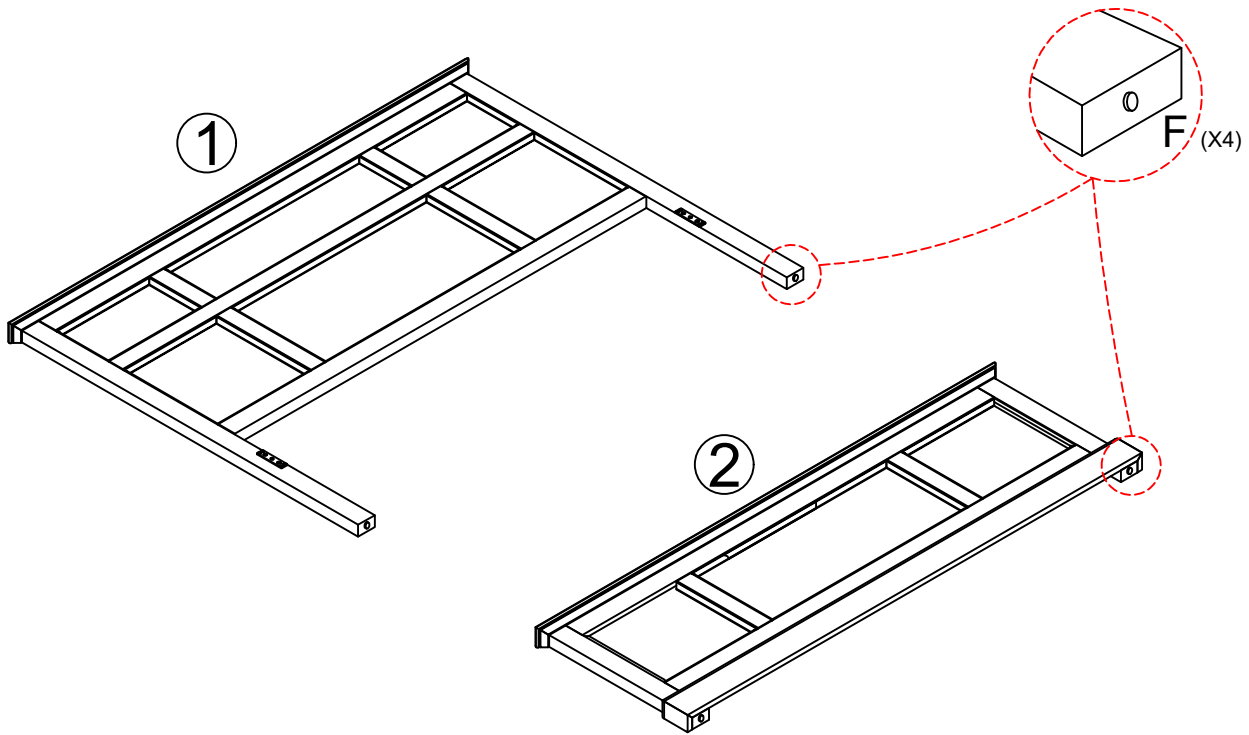
# PARTS LIST



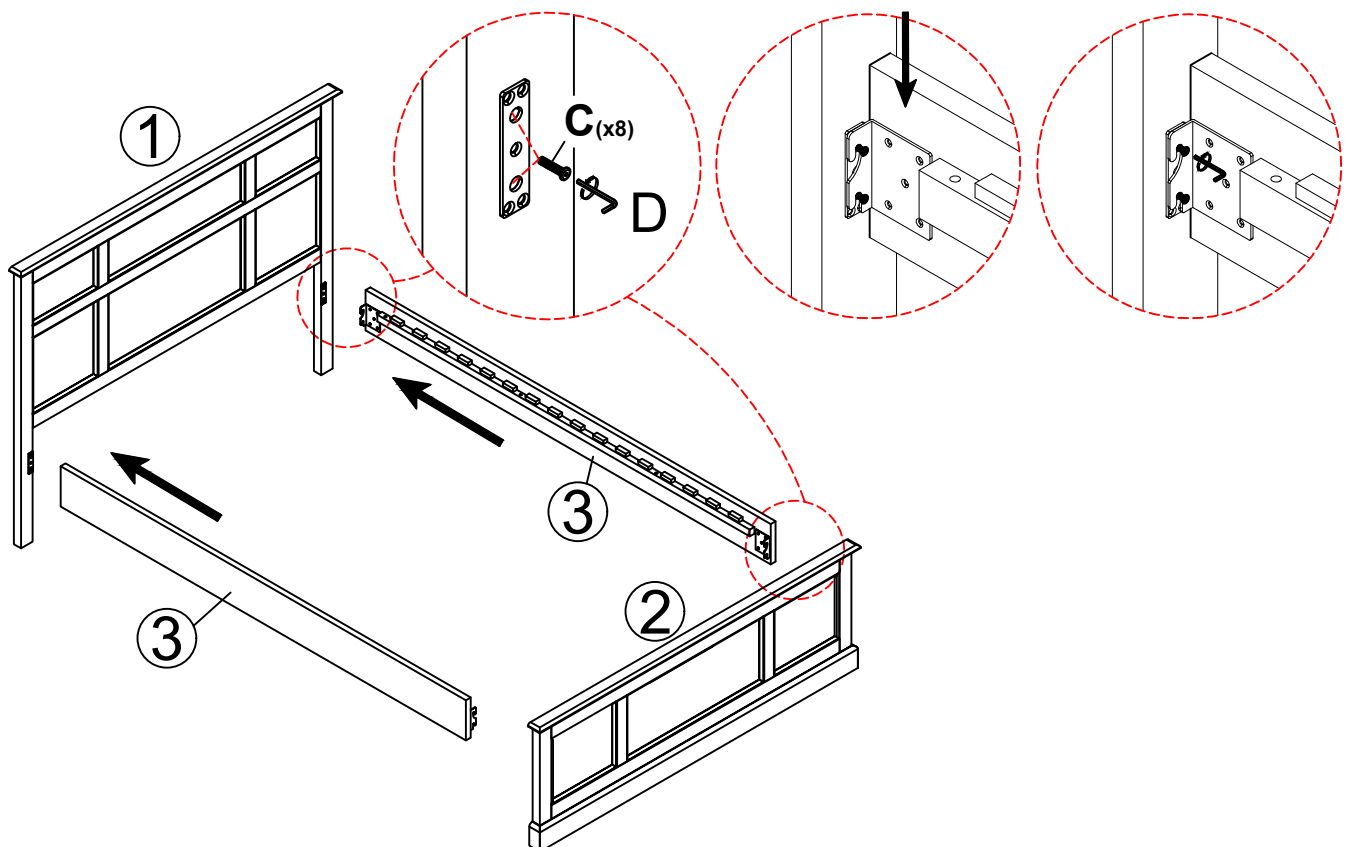
NO	PART LIST	QTY
1	Headboard	1 PC
2	Footboard	1 PC
3	Side rails	2 PCS
4	Slat support bars	2 PCS
5	Support legs	6 PCS
6	Slats	3 PCS
7	Middle slats	14 PCS

<p><b>A</b> Bolt</p>  <p>M6 x 60mm    6xA</p>	<p><b>B</b> Bolt</p>  <p>M6 x 35mm    6xB</p>	<p><b>C</b> Bolt</p>  <p>M8 x 25mm    8xC</p>
<p><b>D</b> Allen key</p>  <p>4mm    1xD</p>	<p><b>E</b> Screw</p>  <p>M4 x 30mm    28xE</p>	<p><b>F</b> Adhesive felt pad</p>  <p>Ø20 x 5mm    4xF</p>

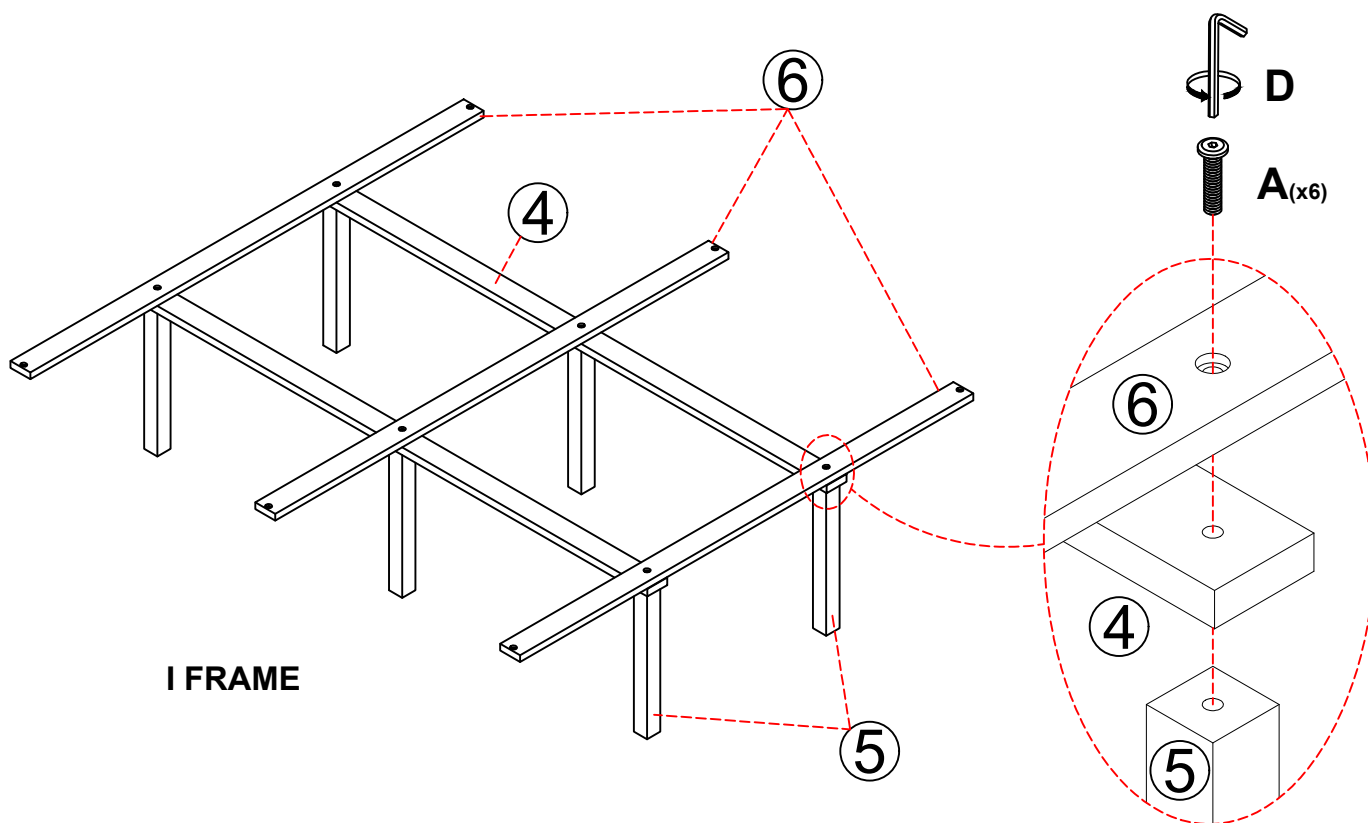
STEP 1: Attach adhesive felt pad ( F ) onto the legs.



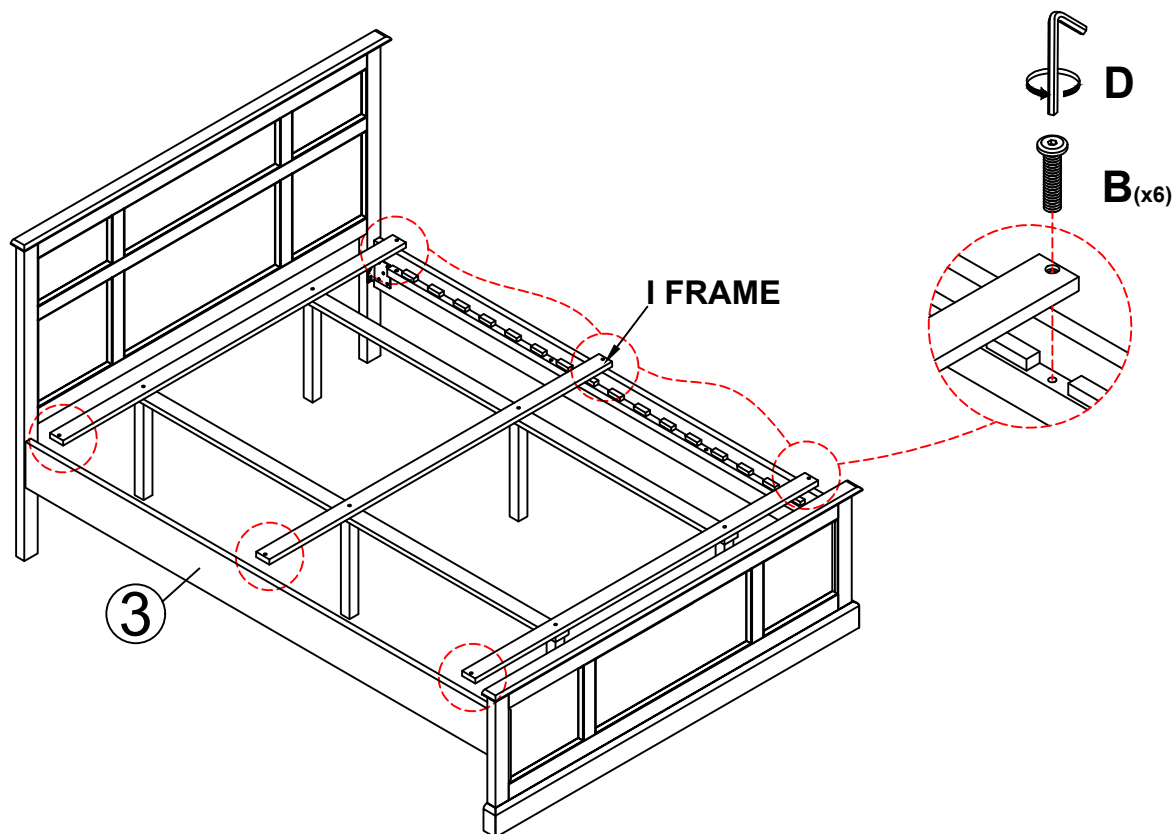
STEP 2: Attach side rails ( 3 ) to headboard ( 1 ) and footboard ( 2 ) by interlocking the brackets on the side rails with the bolt ( C ) on the headboard/footboard and then push down to lock in place.



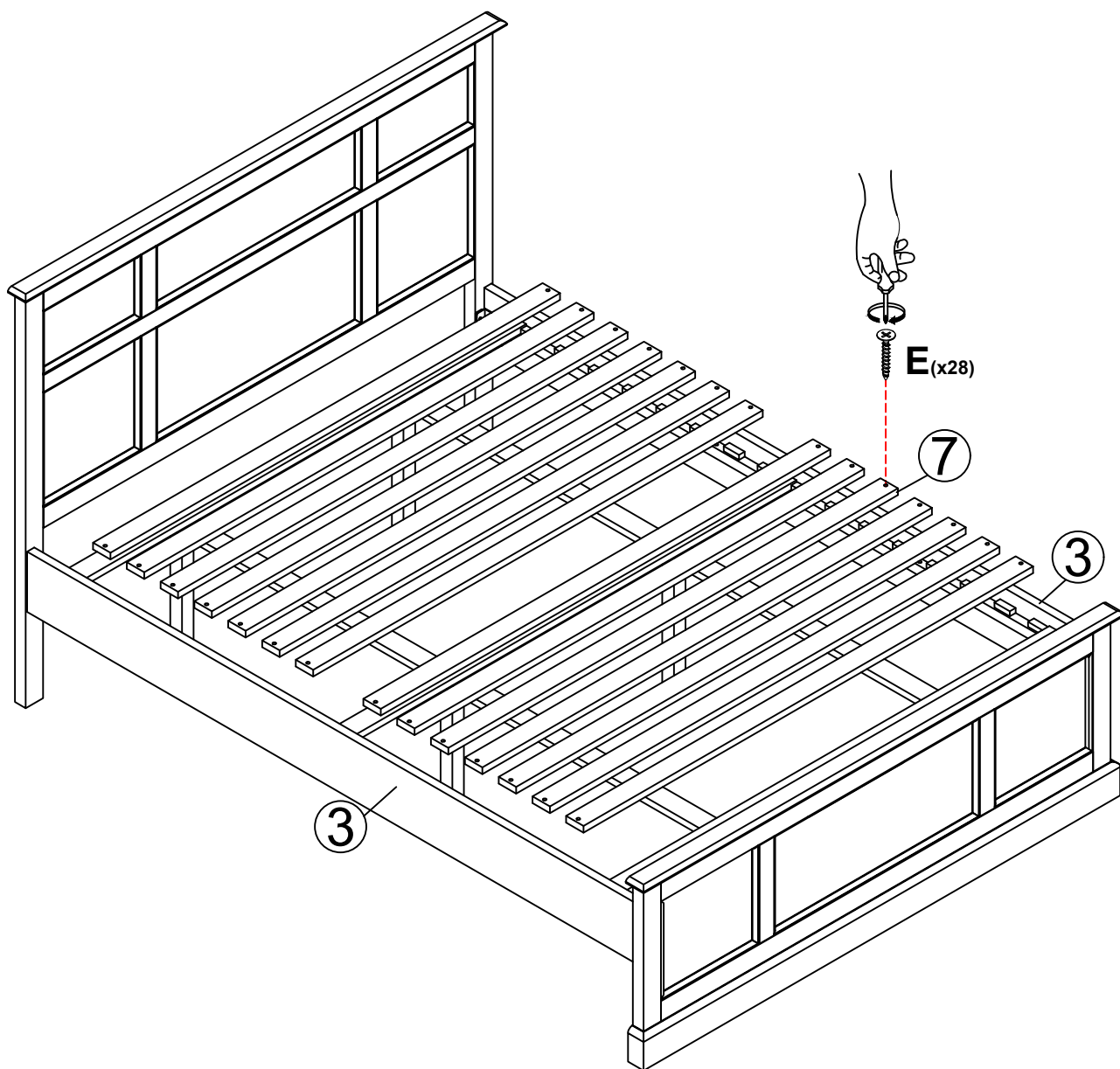
STEP 3: Tighten the slats ( 6 ) and slat support bars ( 4 ) to all support legs ( 5 ) with bolt ( A ).  
Assemble these parts into an **I frame** bed frame.



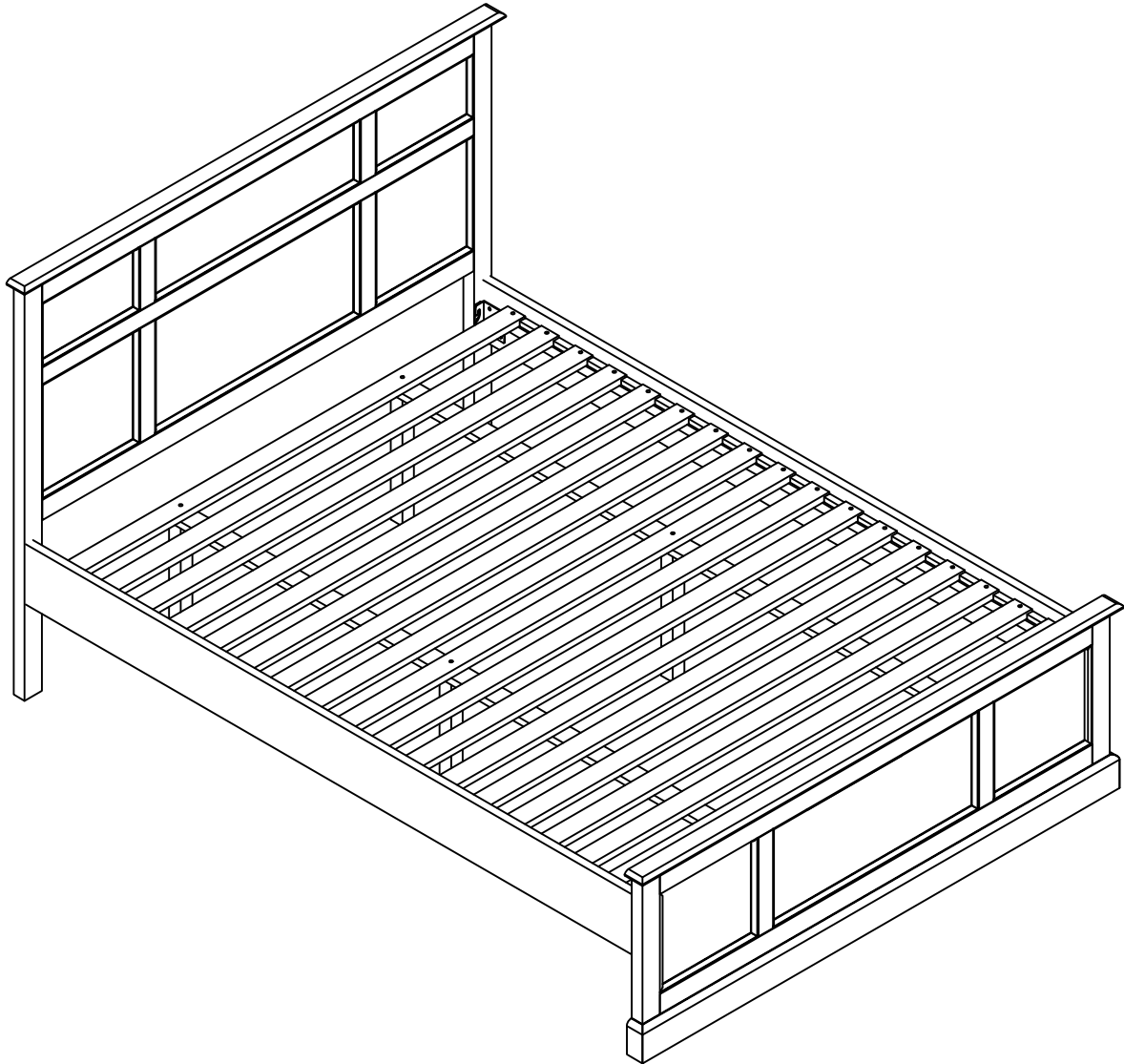
STEP 4: Use two people to place **I frame** onto the side rails.  
Attach **I frame** onto the side rails ( 3 ) using bolt ( B ), tighten it up by using an allen key ( D ).



STEP 5: Attach the middle slats ( 7 ) onto the side rails ( 3 ) using the screws ( E ), tighten it up by using a screwdriver.



ASSEMBLY IS COMPLETE



**CAUTION:**

ALWAYS LIFT YOUR BED WHEN MOVING/RELOCATING - DO NOT DRAG. DRAGGING CAN CAUSE THE CENTRE SUPPORT LEGS TO BEND/BREAK.

**IMPORTANT NOTE:**

THE FELT PAD ON THE BOTTOM OF THE CHAIR LEG IS SUBJECT TO WEAR. AMART RECOMMENDS REGULAR ROUTINE CHECKS AND REPLACEMENT WHERE NECESSARY.

## IMPORTANT: CARE GUIDE FOR YOUR TIMBER FURNITURE

Congratulations! You have just purchased a quality product from Amart furniture.

Please read on for important information regarding your purchase...

A multi-step finish is applied to all our furniture, but all wood comes from nature. Because of this, there will be natural variations in surface texture and grain like knots, mineral streaks and sap runs that may affect the finish.

These differences in character are not defects, but distinctions that make each piece of furniture unique.

Our furniture is built to last. Following these steps, basic care should protect your investment for years to come.

- Dust frequently with a clean damp lint-free cloth. This will help remove abrasive build up which can damage a finish over time.
- Do not place hot objects on any Furniture surface. Always use a suitable placemat. Laminate and lacquer finishes on table tops provide added scratch and heat resistance to our furniture, but they can still be damaged without proper care.
- Avoid exposing your furniture to strong sunlight, heat, open windows or dampness. Prolonged exposure to direct sunlight can fade the finish of your furniture, and sudden extreme temperature and humidity changes can cause cracking or splitting.
- Do not expose your furniture to any liquids. Never allow water to sit on your furniture. Alcohol, nail polish and perfume are also dangerous as they will dissolve the lacquer finish on contact and may require professional repairs.
- Do not allow plastic to come in direct contact with your furniture. Chemicals in the plastic of placemats etc may soften and mark the finish if left in contact with the furniture for a period of time.

